

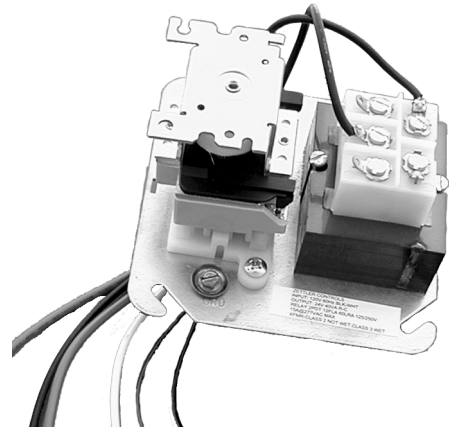
ZC9011 Series

RELAY/TRANSFORMER FAN CENTER ASSEMBLY

Zettler Controls, Inc. Fan Center controls provide convenient low voltage for one and two speed fan motors and auxiliary circuits in heating, cooling or heating/cooling applications. Each ZC fan center control is a reliable, compact unit consisting of a 24 volt control transformer and a plug-in switching relay mounted on a 4" square electrical junction box cover. All line voltage connections are made inside the box with color coded pre-stripped leads. Low voltage connections are made at a convenient terminal board mounted to the transformer.

FEATURES

- DPDT, DPST, SPDT, SPST configurations
- 24V coil voltage, power and duty rated contacts
- Color coded pre-stripped leads
- Low voltage terminal board
- Input Voltage 120V, 208/240V, or 120/208/240V
- Output Voltage 24V, 40 VA
- Mounts directly to 4" electrical box
- UL, CUR file E237660



POPULAR CONFIGURATIONS

PART NO.	TRANSFORMER				FULL RELAY	RELAY CONTACT RATINGS			
	PRIMARY		SECONDARY			125V AC (amps)		250V AC (amps)	
	VOLTAGE	CONNECTIONS	VOLTAGE	CONNECTIONS		FULL LOAD AMPS (FLA)	LOCKED ROTOR AMPS (LRA)	FULL LOAD AMPS (FLA)	LOCKED ROTOR AMPS (LRA)
ZC90113	120	Color coded leads, pre-stripped	24V	Terminal board with 5 screw terminals	DPDT	13.8	82.8	6.9	41.4
ZC90118	208/240	Color coded leads, pre-stripped	24V	Terminal board with 5 screw terminals	DPDT	13.8	82.8	6.9	41.4
ZC90119	120/208/240	Color coded leads, pre-stripped	24V	Terminal board with 5 screw terminals	DPDT	13.8	82.8	6.9	41.4

FAN CENTER MODEL	INPUT TRANSFORMER COIL VOLTAGE	POLE CONFIGURATION	FORM
ZC9011	3	SP	- 1A
ZC9011	3 - 120 VAC 8 - 208/240 VAC 9 - 120/208/240 VAC	Blank - DP (double pole) SP - SP (single pole)	<u>Double Pole</u> Blank - DPDT - N.O., N.C. 2A - DPST - N.O. 2B - DPST - N.C. 2AB - DPST - 1 Pole N.O. - 1 Pole N.C. <u>Single Pole</u> Blank - SPDT - N.O., N.C. 1A - SPST - N.O. 1B - SPST - N.C.

ZETTLER Controls, Inc. www.zettlercontrols.com

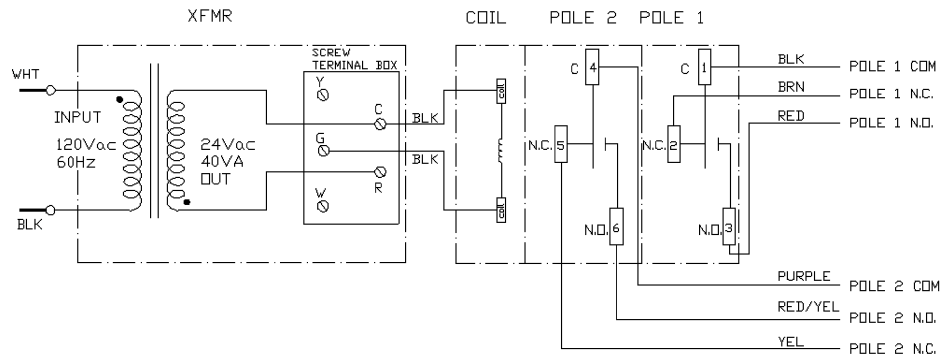
75 Columbia • Aliso Viejo, CA 92656 • Phone: (949) 360-5840 • Fax: (949) 360-5839 • E-Mail: sales@zettlercontrols.com

ZC9011 Series

ZC90113

XFMR 120Vac IN
24Vac OUT

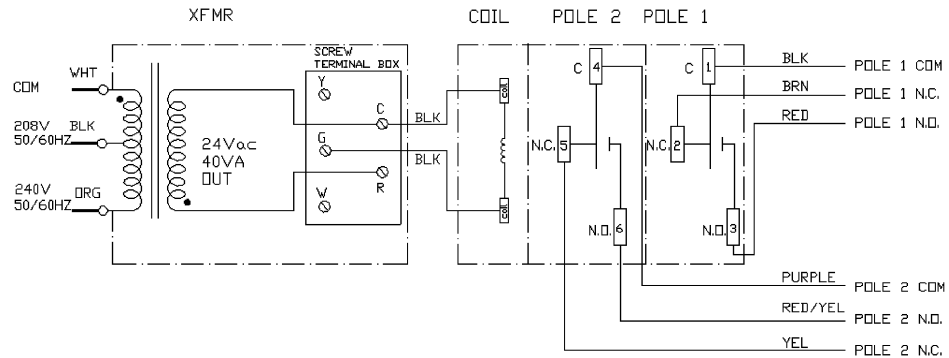
DPDT Relay



ZC90118

XFMR 208/240Vac IN
24Vac OUT

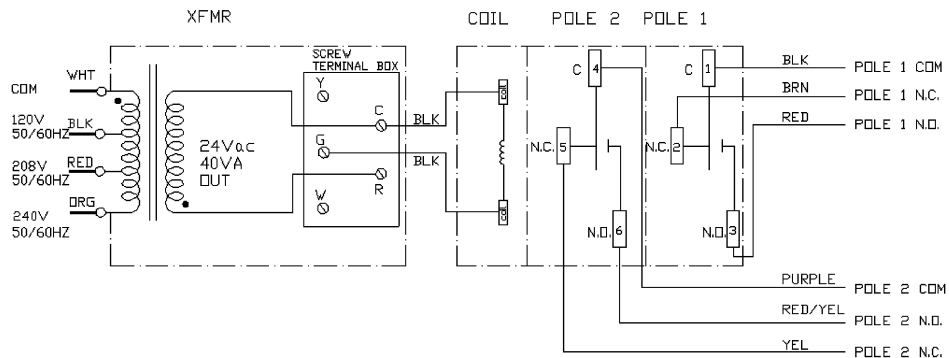
DPDT Relay



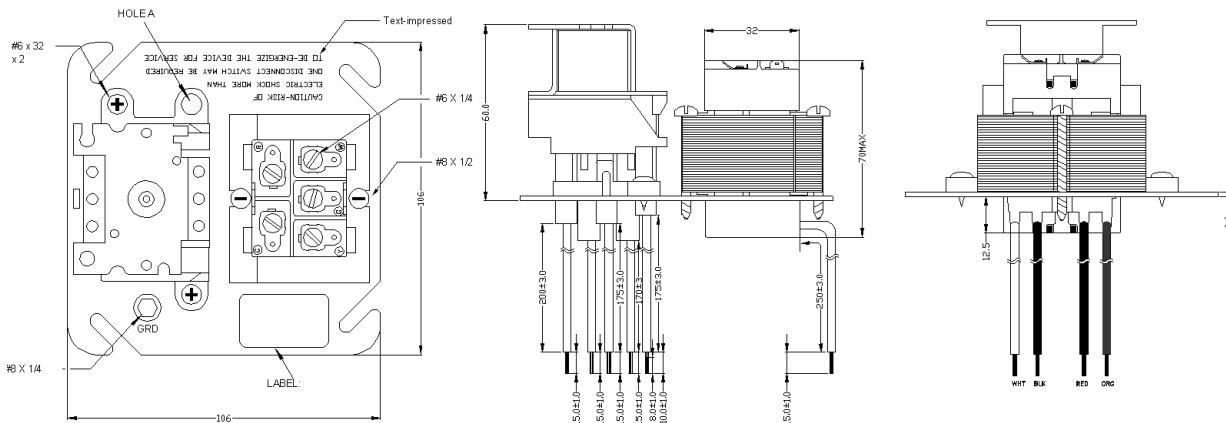
ZC90119

XFMR 120/208/240Vac IN
24Vac OUT

DPDT Relay



MECHANICAL DATA



ZETTLER Controls, Inc.

www.zettlercontrols.com

75 Columbia • Aliso Viejo, CA 92656 • Phone: (949) 360-5840 • Fax: (949) 360-5839 • E-Mail: sales@zettlercontrols.com